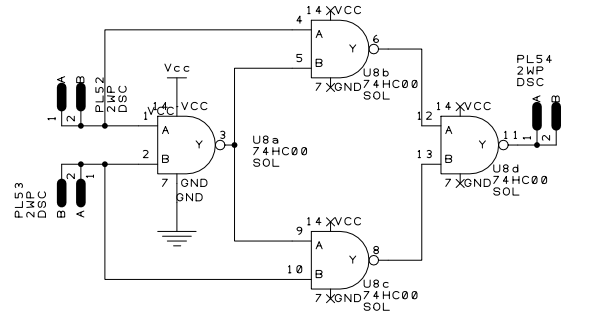
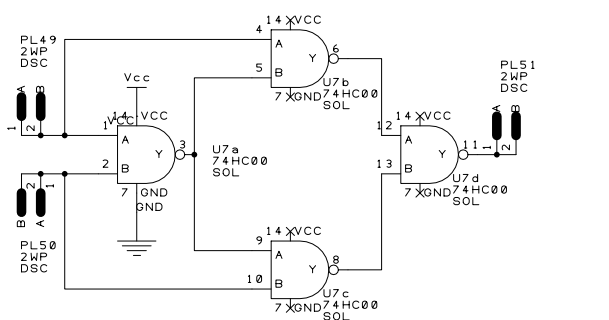
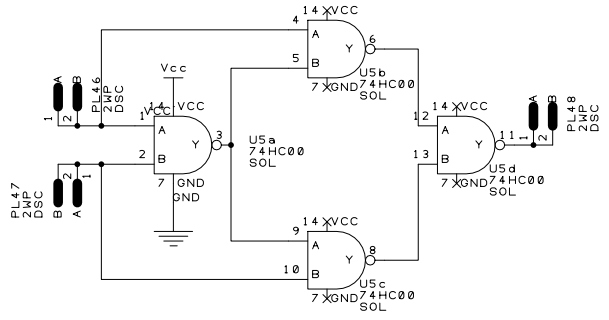
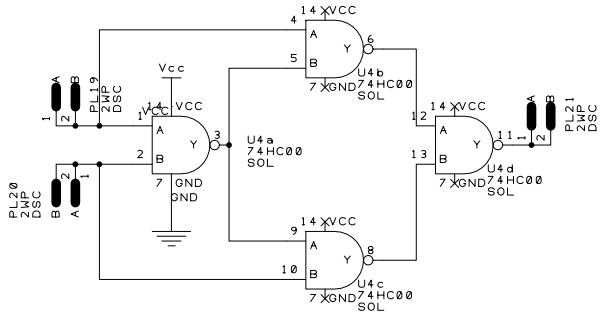
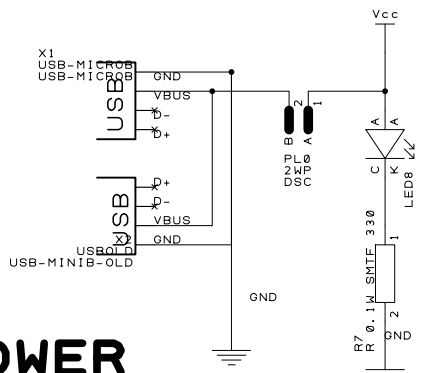


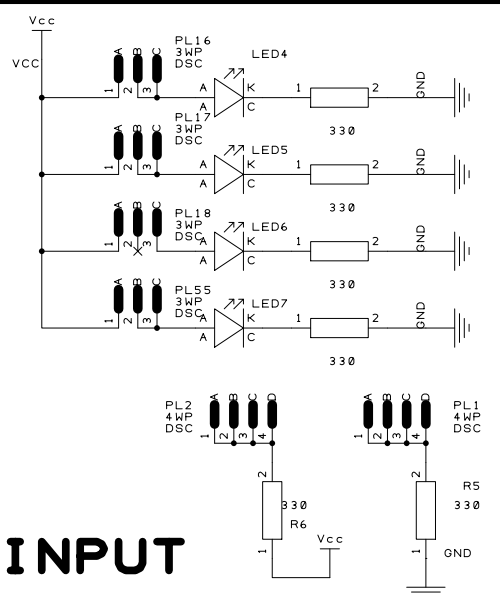
XOR-by-NAND



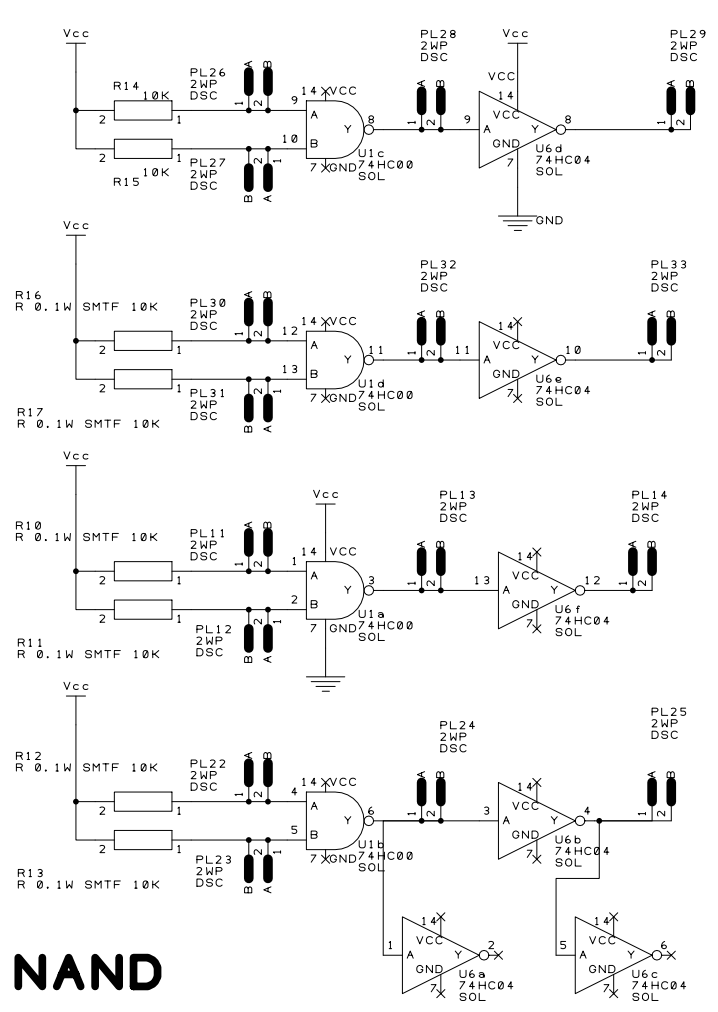
POWER



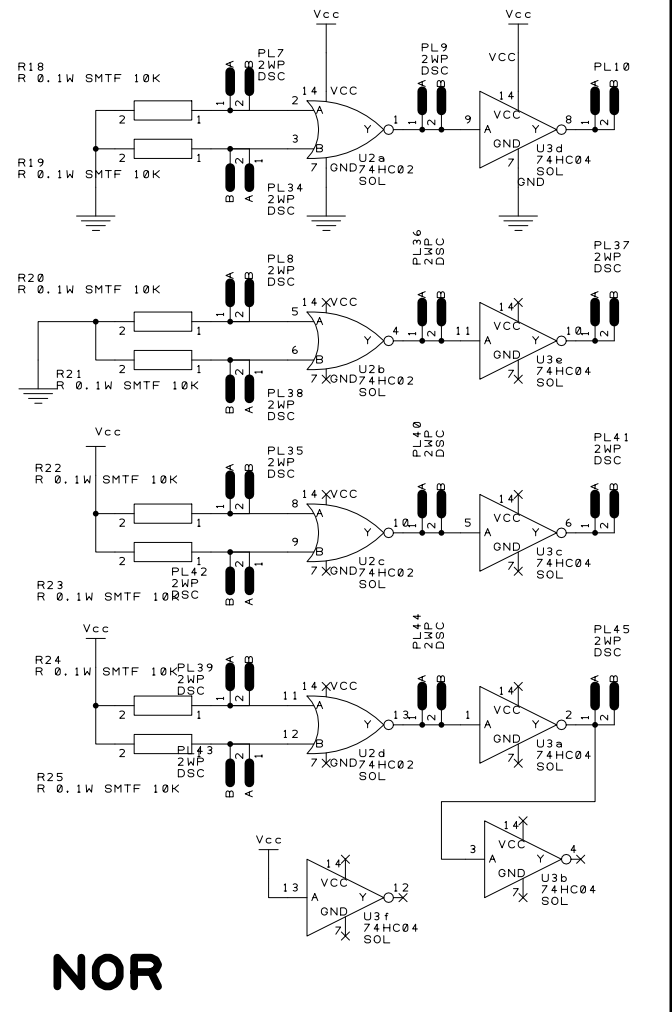
INPUT



NAND



NOR



OTHER

